

1

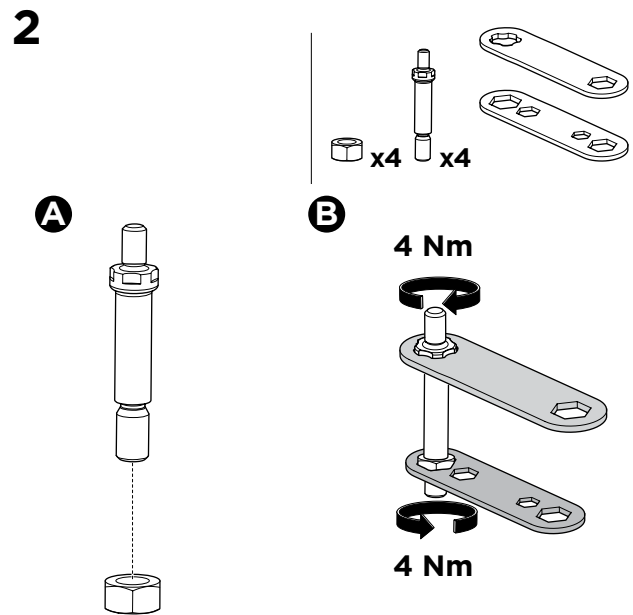
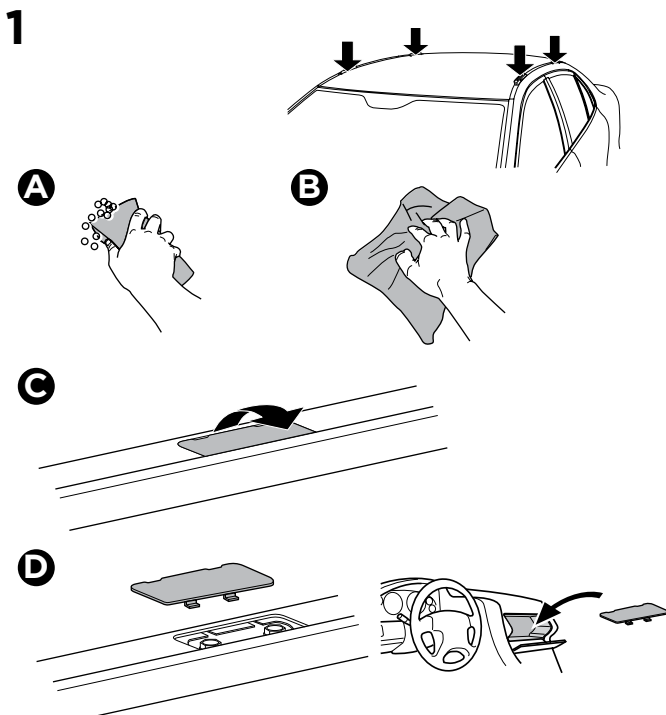
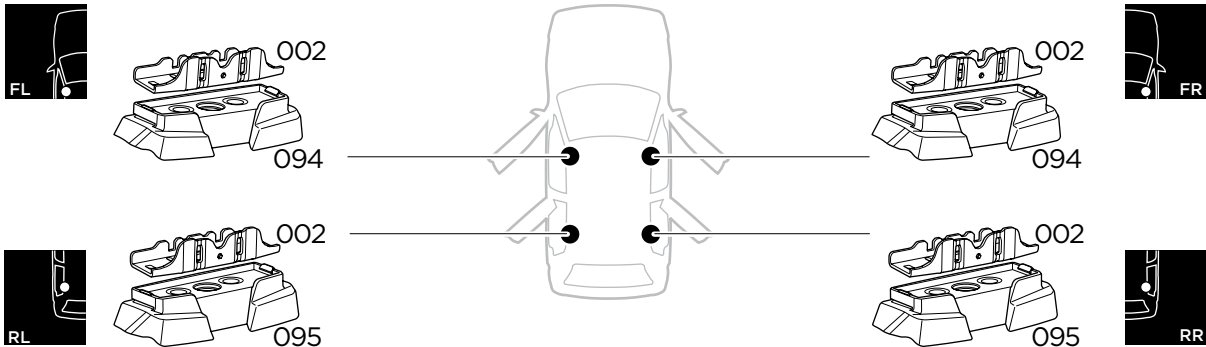
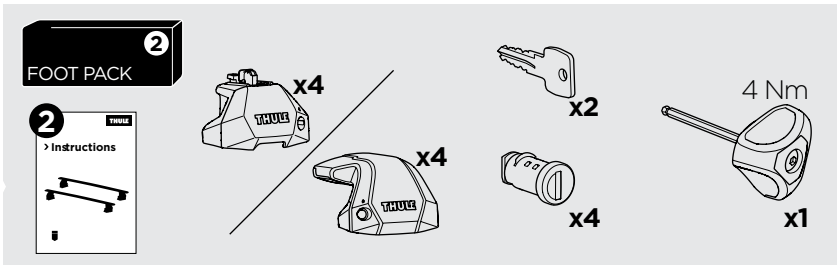
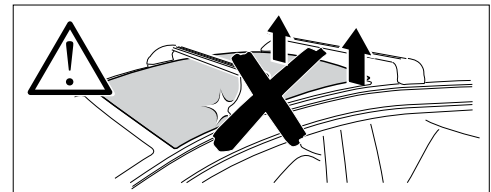
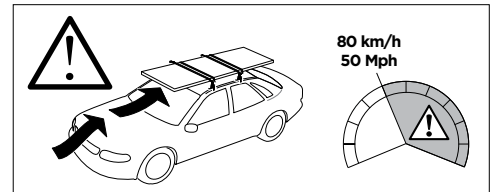
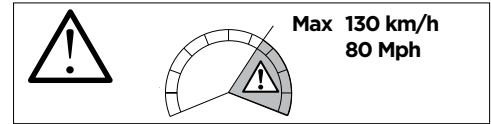
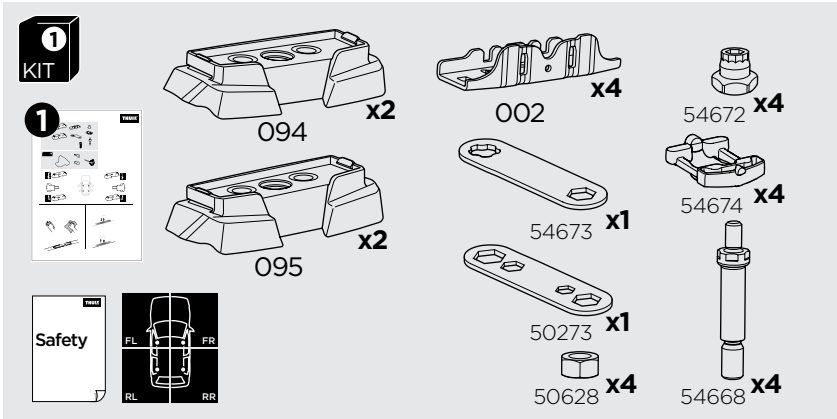
Kit 187013

TOYOTA Highlander, 5-dr SUV, 14-19
 TOYOTA Kluger, 5-dr SUV, 14-19

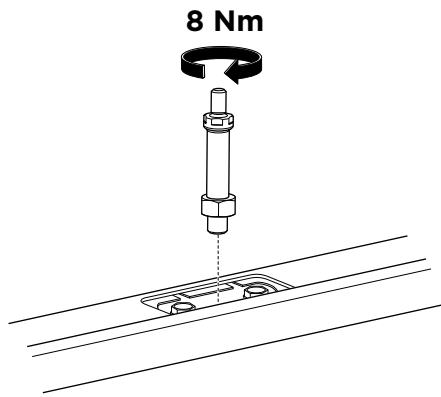


ISO 11154-E

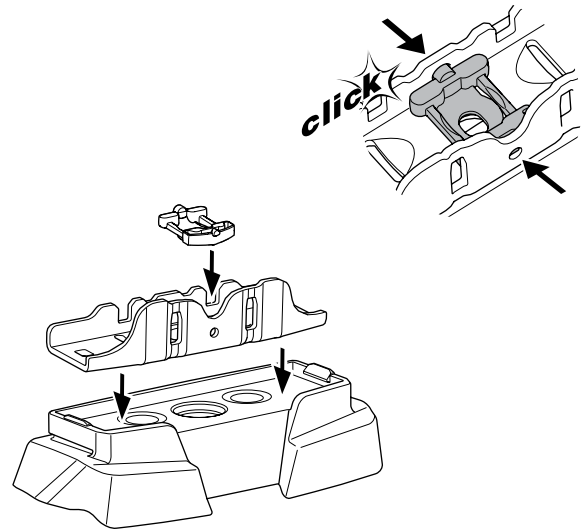
This kit is only for vehicles with fixpoint mounting.



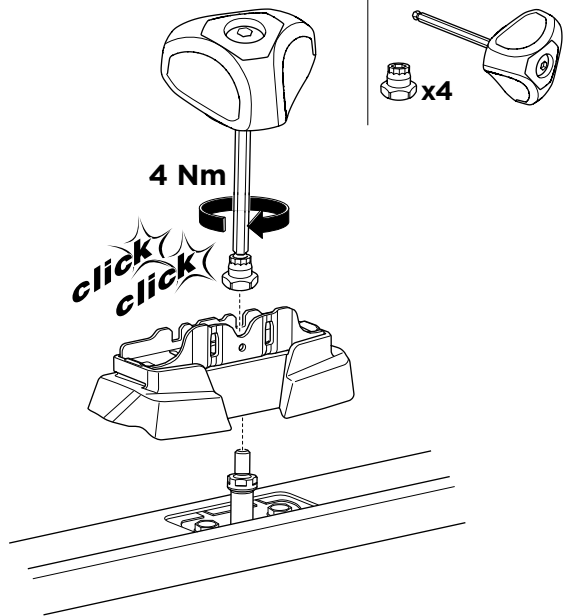
3



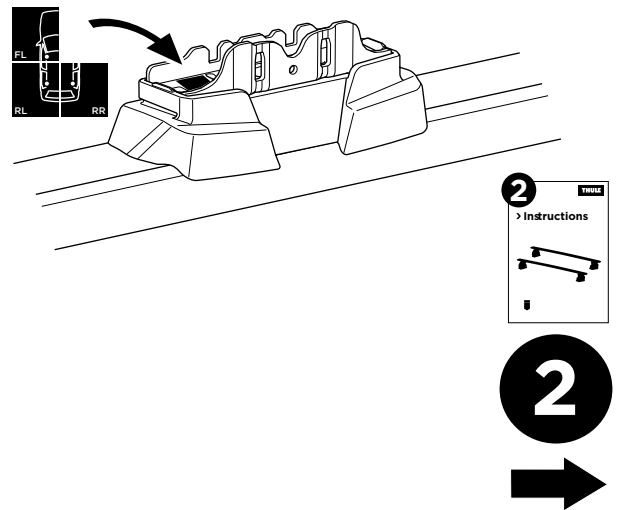
4



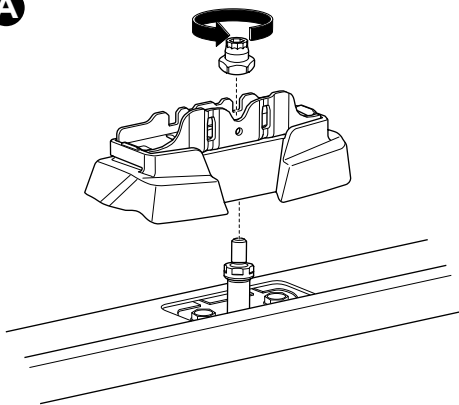
5



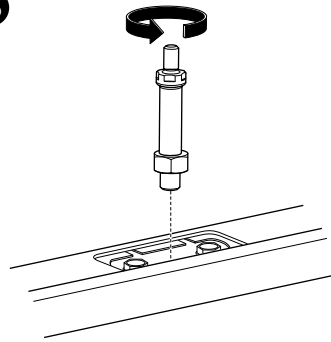
6



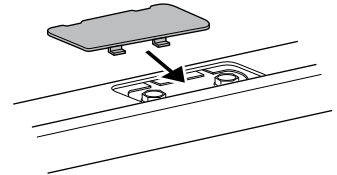
A



B



C



D

